

# MIA Insulation Anchor

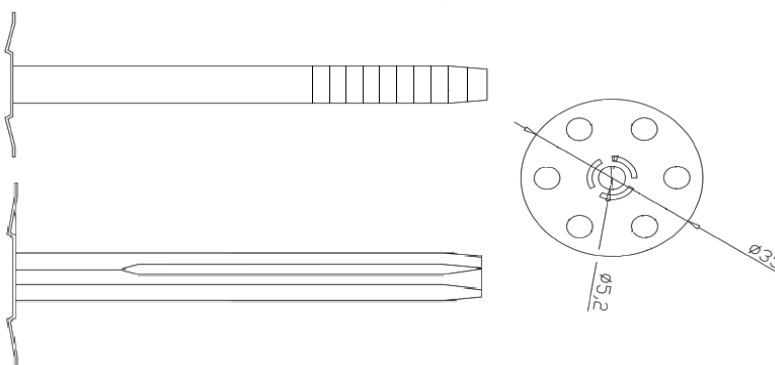


Diameter Anchor	Head Diameter	Pin-Hole Cover Cap	Recommended Pre- Drill	Recommended Drill - Depth	Surface Thickness	Material Steel
8,8mm	35mm	5,2mm	8,0mm	40mm	Galvanized / 9-16 um	Z275 + DX51D



<b>CE Class</b>	<b>EN14566</b>
<b>Fire Class</b>	<b>A1</b>
<b>Corrosion Class</b>	<b>C1-C2</b>

Anchor Size Embedment =>	Effective Length Min. 35mm Concrete
50mm	15mm
60mm	25mm
80mm	45mm
90mm	55mm
110mm	75mm
120mm	85mm
125mm	90mm
130mm	95mm
140mm	105mm
150mm	115mm
170mm	135mm
185mm	150mm
200mm	165mm
220mm	185mm
230mm	195mm
250mm	215mm
300mm	265mm



Unfactored Mechanical Performance	
	<b>Concrete Substrate</b>
<b>Embedment =&gt;</b>	<b>35,0mm</b>
<b>Test value min. Pull Out</b>	<b>0,97 kN</b>
<b>Test value max. Pull Out</b>	<b>1,18 kN</b>
<b>Avarage Pull Out Test</b>	<b>1,10 kN</b>

*Recommended Safety Factor as advice (between 2 and 5)*

